

Cavatina, Surface Fix 23170

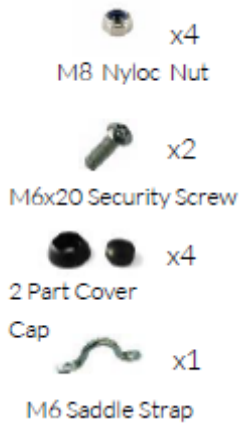


Contents

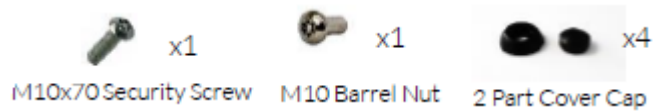
Instrument components:
Cavatina

Steel leg

1 pair of Small Red Beaters



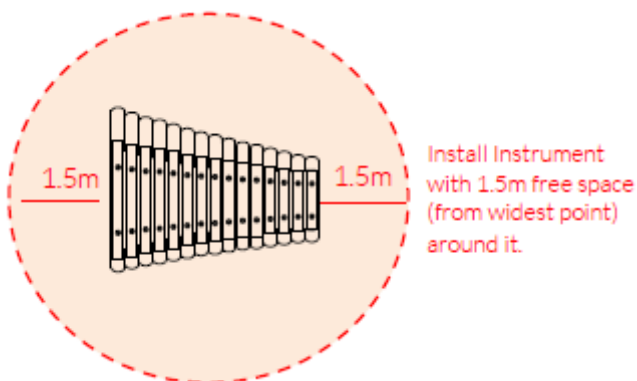
Surface fix components:



Ground Anchors not supplied

Before Installation

Choose a suitable location for the Cavatina, bearing in mind the amount of space required around it:



Bear in mind the product weight:

Weight of heaviest part: 25kg (Cavatina) Total weight: 30kg

Installation



1. Attach the steel legs to the base of the instrument with the M8 Nyloc Nuts and 2 part security caps. (1.1) (See Assembly Guide)

2. Attach Surface Fixing posts to legs (1.2) (See Ground Fix Post Installation Sheet)

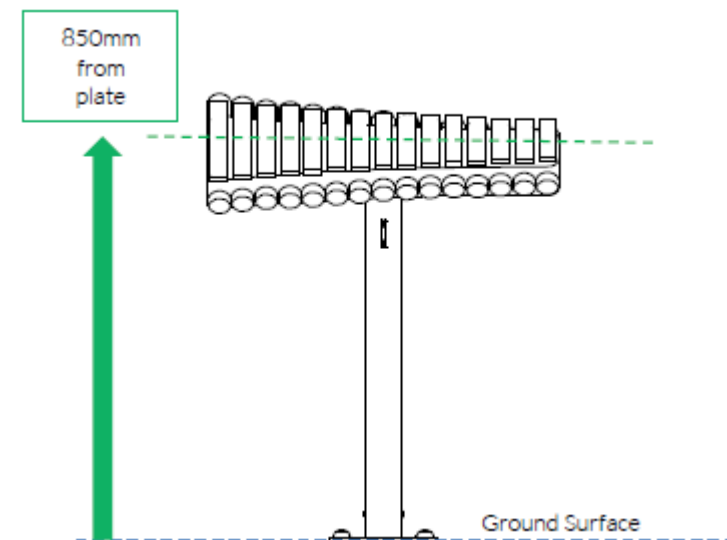


3. Locate Plate in desired location and mark holes to fix to desired surface.

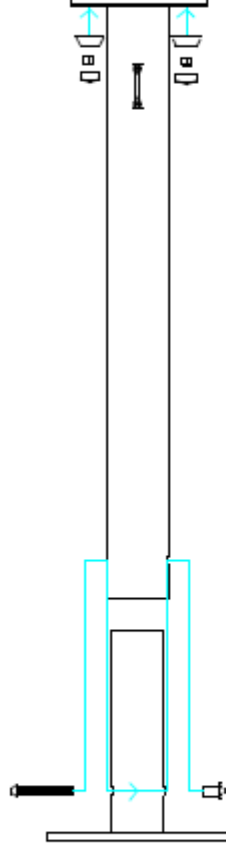
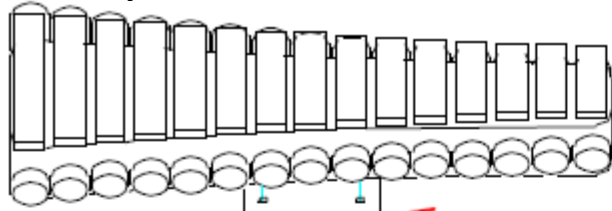
4. Fix to Surface using recommended ground anchors not supplied

5. Make sure all fixings are covered and secure using cover caps provided

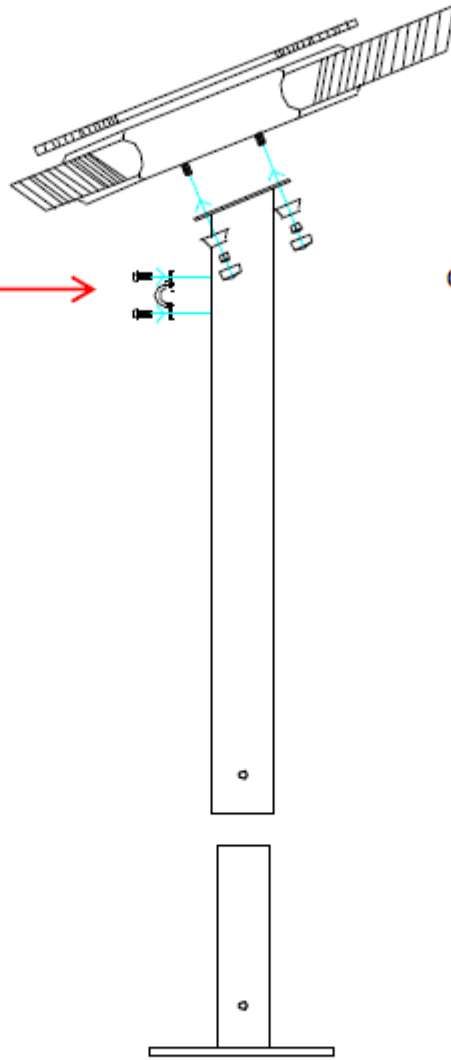
6. Attach the 1 pair of beater to the saddle strap on the leg. (1.3)



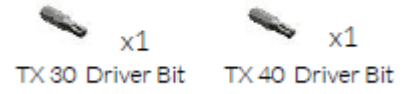
Assembly Guide



Thread Lock Solution
Required (Not Supplied)

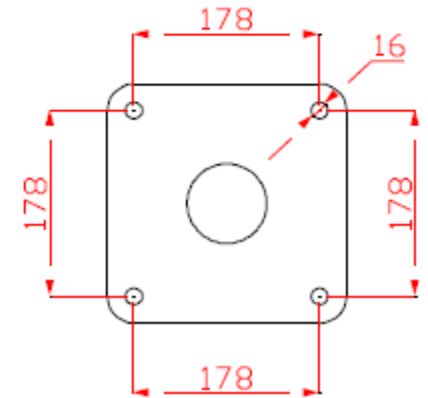


Tools:



COMPONENTS LIST:

-  2 Part Cover Cap X8
-  M8 Nyloc nut X4
-  Saddle Strap X1
-  M6x20 Pin torx X2
-  M10x70 Pin torx X1
-  M10 Barrel Nut Pin torx X1



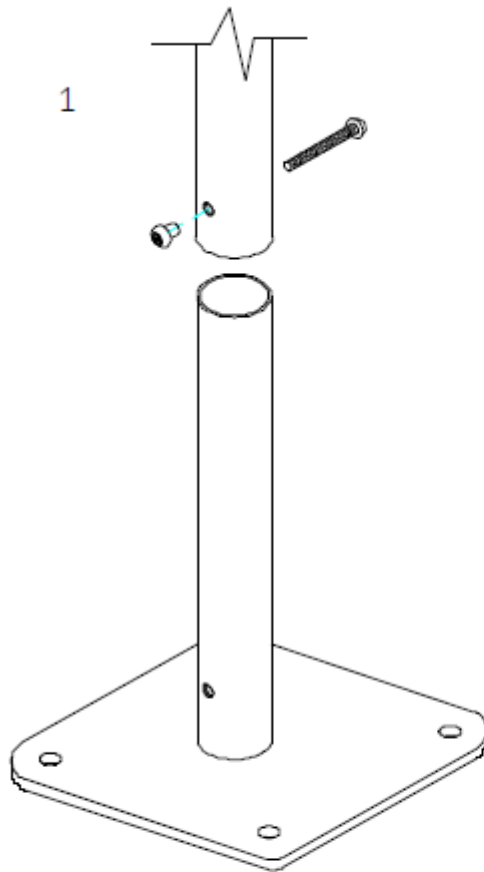
Surface Fix Post Installation

Tools:

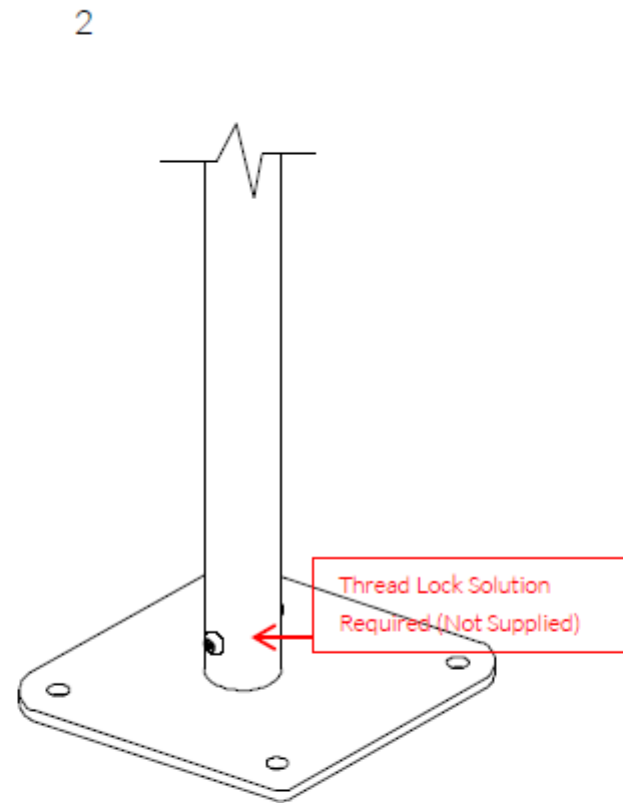


x2

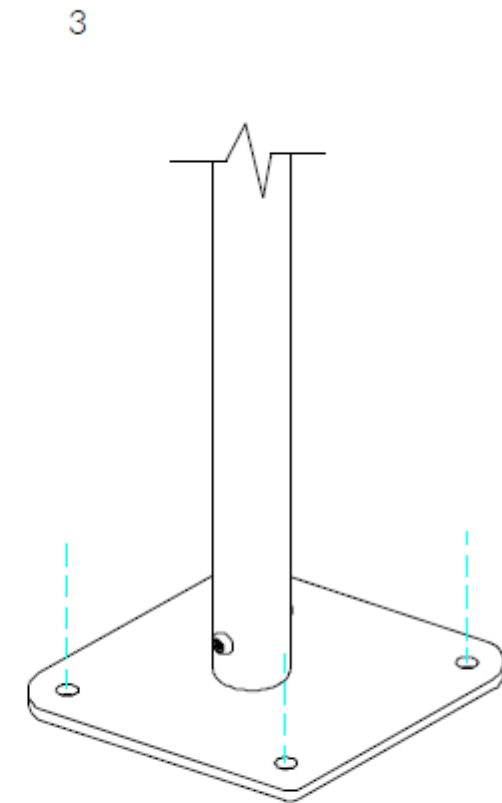
TX45 Driver Bit



Locate the Surface fix Plate into the leg of the instrument.



Fix instrument to Surface fix plate using M10 bolt and Barrel Nut and use **thread locking solution** to prevent fixings working loose.



Fix Surface Plate to the ground surface **Ground Anchors Not provided** cover fixings with caps provided