

Large Babel Drum, Surface Fix 23159

manufacturer instructions are included with the product when purchased – these are simply a summary

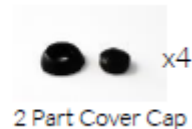


Contents

Instrument Components:



Ground Fix Components:

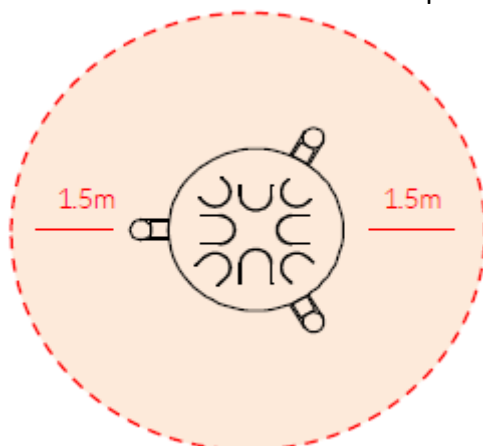


Please note: ground fixings / anchors are not supplied as these will depend on your surface. Please purchase appropriate fixings separately. A thread lock solution is required.

Beaters are not included as this drum is intended to be played with the hands.

Before Installation

Choose a suitable location for the Drum, bearing in mind the amount of space required around it. Install the Drum with 1.5m free space (from widest point) around it:



Also take into account the potential need for shade:

Bear in mind the product weight:
Weight of heaviest part: 17.5kg
Total weight: 22kg

CAUTION: Drum surface can get hot in direct sunlight, if possible install in shaded areas.

Installation



1. Unpack ground fixing legs
3no.

2. Lay packaging out on floor
or assemble on non-abrasive
surface to prevent marking of
polished stainless steel.

3. Align holes on legs to holes
on surface fixing (opposite
end to polished domes) and
secure in place using 3no.
M10 x 30mm Screws
provided
Tools required TX 45 Driver
Bit)

4. Invert assembled frame so
domed ends face upwards.

5. Place 8mm Hex Key
supplied into hole in leg and
lock into internal bolt.

6. Remove Black Cap
opposite side of leg and
keeping Hex Key in place,
slide black polyurethane
damper over bolt until flush
with end of bolt. Repeat for
other 2 legs

7. Unpack babel drum leaving
black film in place to protect.

8. Align holes in side of babel
drum with bolts on legs.

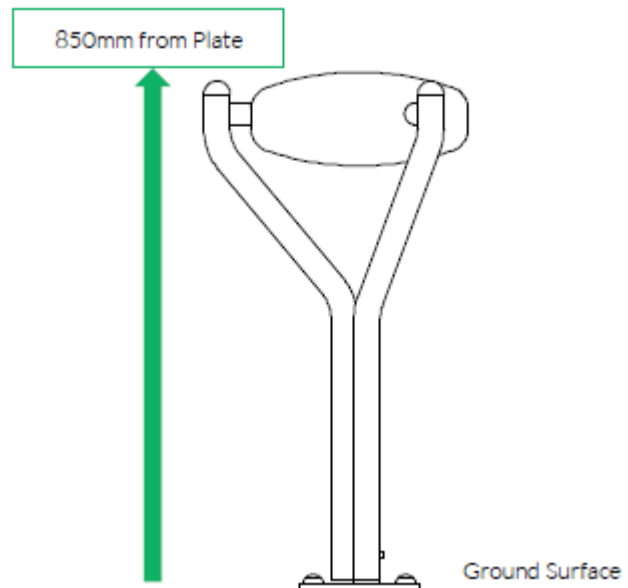
10. Using TX40 driver
provided secure M8 x 25mm
security bolts into external
holes in legs 3no. Use thread
lock solution

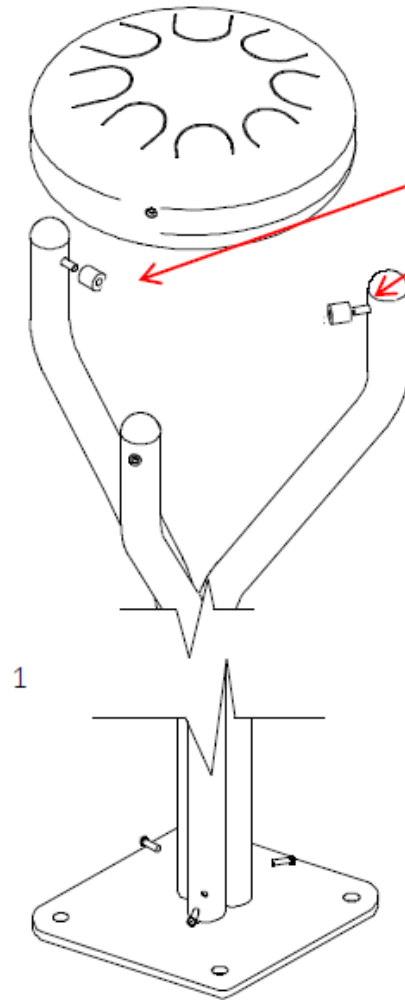
9. Using 8mm Hex Key screw
bolts into drum to secure in
place.
Use thread locking solution
All hole locations are laser cut
for accuracy to ensure holes
in drum align perfectly with
legs.

11. Locate Babel Drum in desired location and mark holes to fix to desired surface.

12. Fix to Surface using recommended ground anchors (Ground Anchors are not supplied)

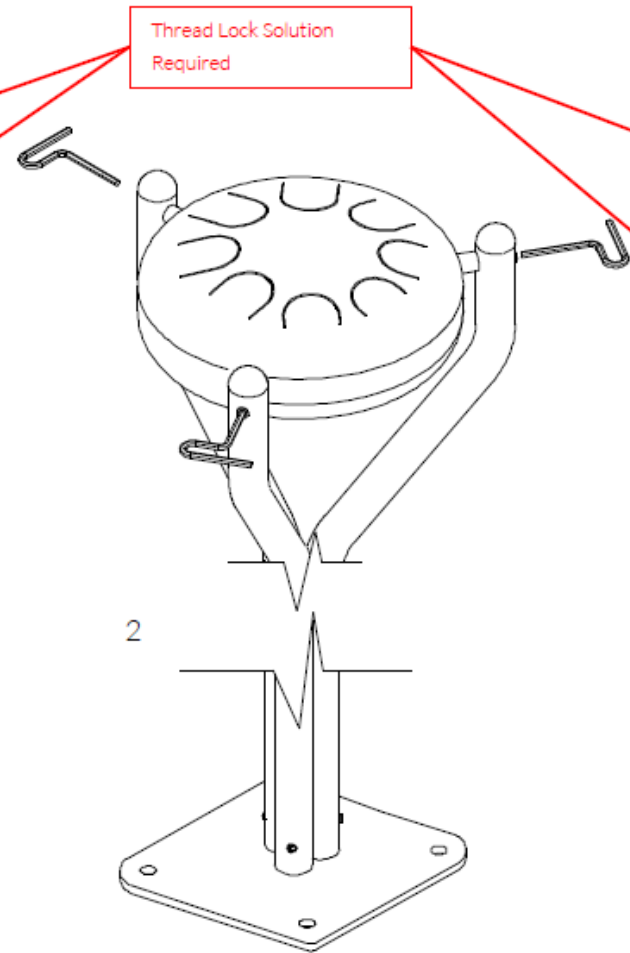
13. Make sure all fixings are covered and secure using cover caps provided





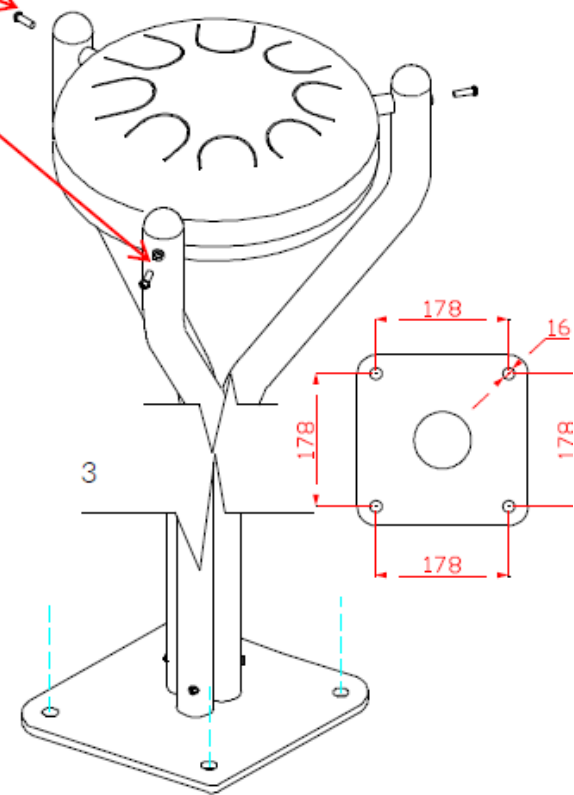
1

Locate the Surface fix Plate into the leg of the instrument.



2

Fix instrument to Surface fix plate using M10 Screws and use **thread locking solution** to prevent fixings working loose.






3

Fix Surface Plate to the ground surface **Ground Anchors Not provided** cover fixings with caps provided

Thread Lock Solution Required

Tools:

	x1		x1		x1
TX 45 Driver Bit		Hex T Key		TX 40 Driver Bit	

Care & Maintenance

- Establish a schedule for regularly checking your outdoor musical instrument. Regularly inspect them and maintain them accordingly.
- Failure to adequately care for and maintain your products can affect the warranty.
- Do not alter or modify the product in such a way that the essential safety or sound of the product will be affected. Alterations and modifications may affect the warranty.
- Contact ROMPA® should spare parts or additional beaters be required.
- Contact ROMPA® should any repair or replacement be necessary.

Aluminium Notes

Aluminium notes have an anodic coating that can't be peeled off or flake away.

Keep the notes clean with soapy water or a mild detergent solution followed by rinsing with clean cold water.

After drying, a good household wax spray polish can be used.

Grease and dirt deposits may be removed by using solvents such as white spirit in conjunction with a soft cloth or soft bristle brush.

Never use harsh abrasives to clean the notes.

As the notes are permanently exposed to some atmospheric weathering, they should be regularly cleaned – not less than four times a year.

Steel Leg

Keep clean to ensure longevity.

Wipe clean with a mild detergent and rinse with clean cold water.

All cleaning solutions including acide based (exceptic hydrochloric acid) are suitable, as long as thoroughly rinsed with clean water afterwards.

Stainless steel polish can be used should you wish to cover any blemishes which may be causedd over the years, either by misuse or accidental damage.

Stainless steel is very low maintenance but in external areas it is recommended to be checked for blemishes or surface scratches.

EN1176 Requirements (applies to Children's Playground Equipment)

All children's playground equipment is subject to regular inspections and maintenance works.

Maintain your outdoor musical instruments according to the instructions supplied with the product to look after the product and to adhere to the warranty requirements.

Excerpt from EN 1176-7:

Section 7 - Inspection schedule

7.1. To avoid accidents, the operator has to make sure that an adequate inspection schedule is developed and adhered to for each playground. In such a schedule, all local conditions and manufacturer's indications that may have an influence on the necessary maintenance frequency, have to be taken into consideration.

The inspection schedule should list all parts, which have to be checked during the different inspections, and the inspection procedures.

7.2. If severe and safety-endangering defects are discovered during an inspection, they should be eliminated immediately. If they cannot be repaired or replaced at once, the respective equipment has to be excluded from use, e.g. by dismantling or closing it down. If an equipment component has to be removed, e.g. for maintenance works, all anchoring or foundations that remain in the ground have to be removed also or be made inaccessible by means of covers. The construction site should then be secured.

As stated in the standards, we recommend a weekly 'Routine Visual Inspection' of your playground. In cases of heavily used or high-risk (e.g. vandalism) playgrounds or if the age of the equipment requires more frequent checks, you may want to increase the frequency of these inspections to daily. An 'Operational Inspection' should be carried out every month and after 12 months at the latest you are required to carry out an 'Annual Inspection' (for best effect this should be completed after the winter months).

Records should be kept alongside these instructions of all actions taken as part of safety management. On the last pages of these maintenance instructions you are offered a Maintenance Record Sheet for the entry of your maintenance report results.

Daily/Weekly Visual Routine Inspection

The routine maintenance of your outdoor musical instruments consists of preventative measures to maintain their level of safety and performance. On a 'Daily/Weekly Visual Routine Inspection' check for visible damage and loose parts:

- Are there any exposed foundations?
- Can you see sharp edges, broken, frayed or missing parts?
- Are components overly worn and torn?

Daily inspection is recommended for heavily-used or high-vandal-risk playgrounds or those that have already been in service for a certain period of time. Deal with all damages and defects as soon as these are found. Record all findings in the Maintenance Record Sheet (below).

Monthly Operational Inspection

As for the Weekly Visual Routine Inspection, the following checks have to be carried out during the Monthly Operational Inspection:

- Are there any exposed foundations?
- Can you see sharp edges, broken, frayed or missing parts?
- Are components overly worn and torn?

The 'Monthly Operational Inspection' requires the following supplementary checks:

- Are all metal parts well connected and not worn down?
- Are all screwed connections and bolted joints tight? If not, please tighten them.
- Are all plastic and or/rubber components satisfactory?

Deal with all damages and defects as soon as these are found. Record all findings in the Maintenance Record Sheet (below).

Annual Inspection

Carry out the 'Annual Inspection' after the winter or at least after 12 months. As well as the checks described above (Daily, Weekly, Monthly), the following checks are required:

- Are all foundations stable and the equipment well anchored?
- Replace joints that show severe corrosions or heavy wear and tear

Deal with all damages and defects as soon as these are found. Record all findings in the Maintenance Record Sheet (below). Copy the sheet or create your own for ongoing maintenance reporting.

Date of Inspection	Inspection (Daily/ Weekly/ Monthly /Annual)	Name of Inspector	Name of Instrument Inspected	Details of Defect Found	Action Taken	Date Defect Resolved