



1. Product Name

C Frame

2. Product Code

20781 With single point head, without mats
22617 With single point head and mats
22619 With triple point head, without mats
22618 With triple point head and mats

3. Colour

As available

4. Brief Description

Free standing suspension system that eliminates the need for permanent structural fixings.

5. Contents

- 1 x C Frame with single/triple point head (supplied flat pack, unassembled)
- *Mat set (3 parts, with Velcro® - 22617 and 22618 only)*

6. Snoezelen® Stimulations

- Vestibular
- Proprioceptive

7. Best Use

Use on a flat, stable surface that is free of obstacles.

8. Compatible ROMPA® Products

Please see www.rompa.com for our extensive range of swings and suspended products.

9. Starting Up

- Given the importance of assembling this product correctly, please read all these instructions before installation.

10. Detailed Description

Free standing suspension system that eliminates the need for permanent structural fixings. Easy to transport and assemble. Made from tubular steel with foam padding. Could be fixed to the floor if necessary. Maximum weight supported: 150kg. Latex- and phthalate-free. Colour as available.

11. Safety

- **Always supervise the use of this product.**
- Only competent adults should assemble the Frame.
- This product is not a toy. This product is for specific Sensory Integration use.
- Periodically check that the Frame is correctly and securely assembled and all parts are present.
- Make sure the Frame is used with an appropriate swing.
- Use in an area free of obstacles. Allow plenty of room around the Frame.
- Use all appropriate safety measures as necessary – helmets, additional mats etc
- Do not exceed the maximum weight supported: 150kg
- Do not attempt to modify, adapt or alter this product.
- Use on a flat, stable surface.
- If any part of the frame is loose, damaged or not functioning correctly, cease use of this until suitably rectified, repaired or replaced.
- Keep all parts clean.
- Do not use this product whilst it is being checked or maintained.

This product is not a toy. Any activity involving motion, height, or rotation may cause serious injury. This product is intended for use under the supervision of trained professionals.

12. Technical Specification

Size: 238cmH
Hanging heights: 223cm (middle) and 228cm (outer points)

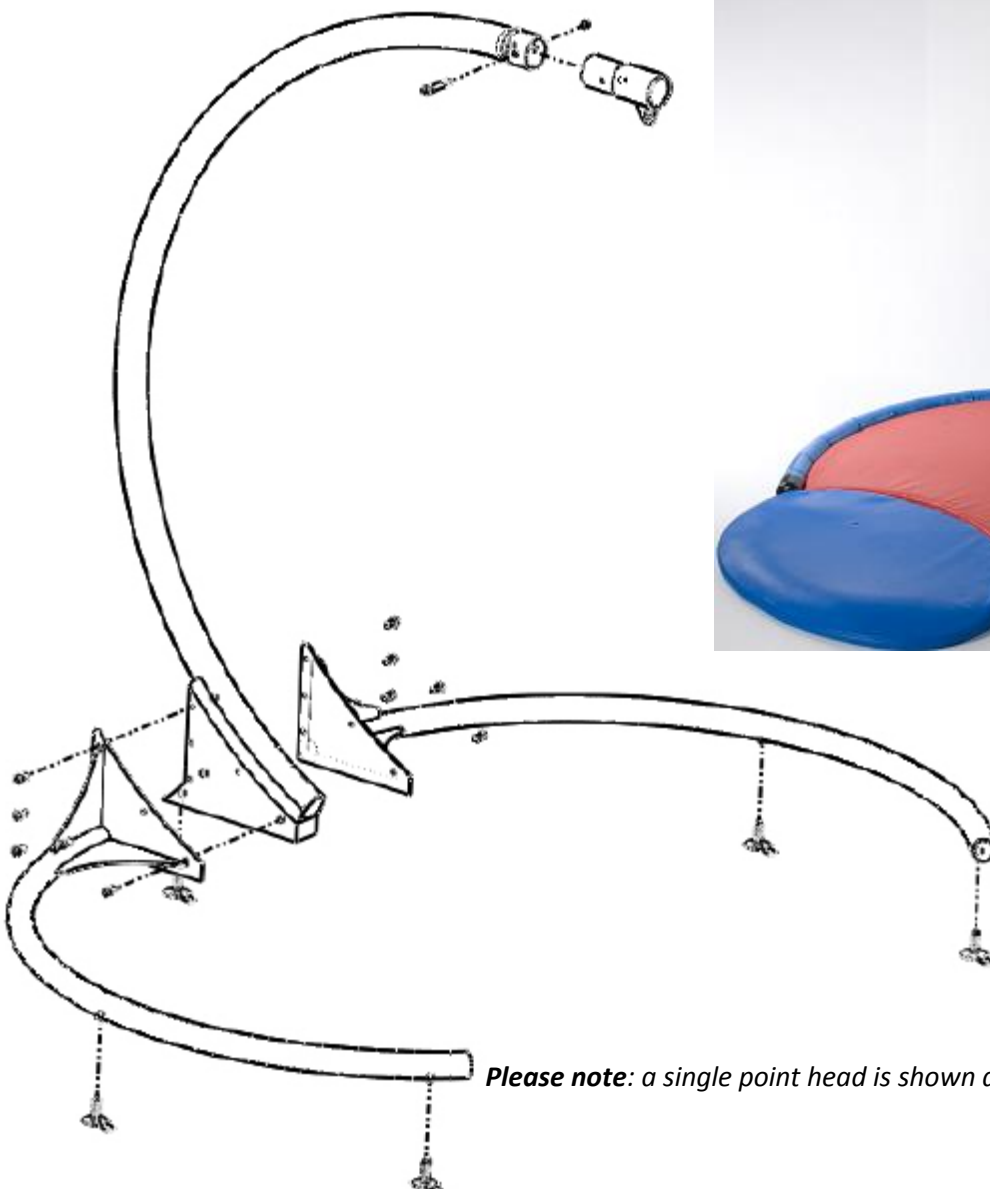
Diameter: 186cm

Latex: latex-free

Phthalates: phthalate-free

Load: maximum weight supported: 150kg

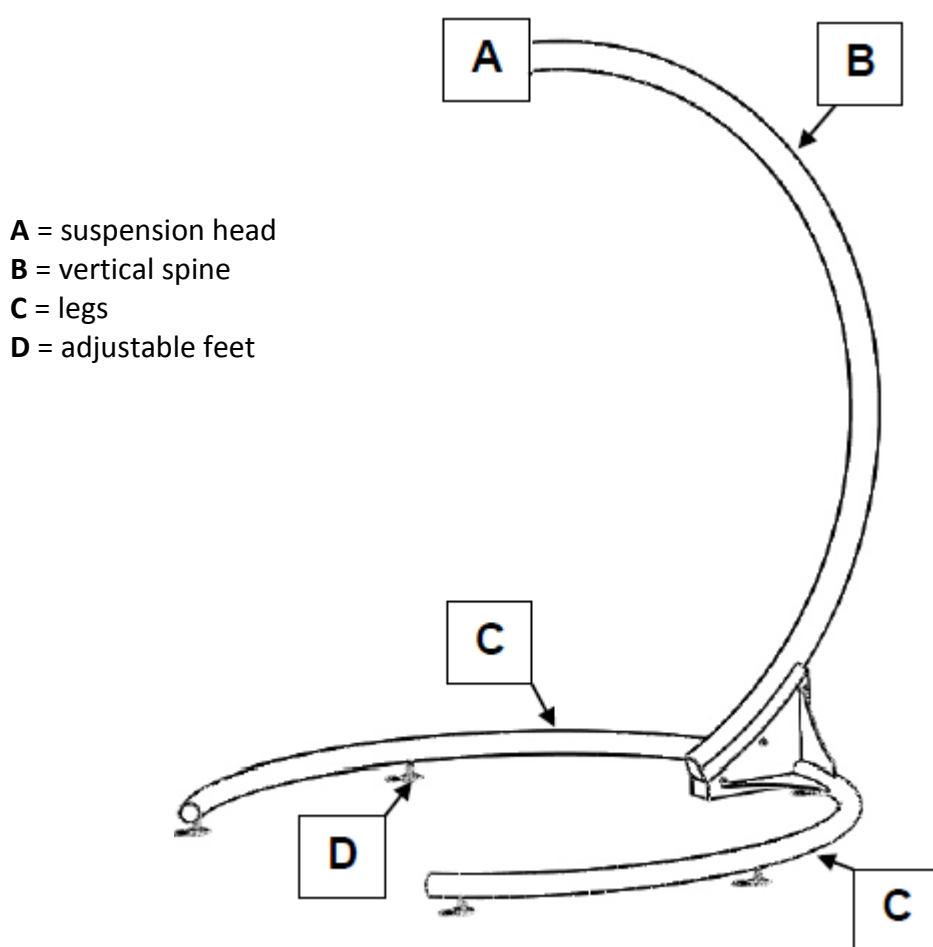
Exploded view



Please note: a single point head is shown above in the diagram

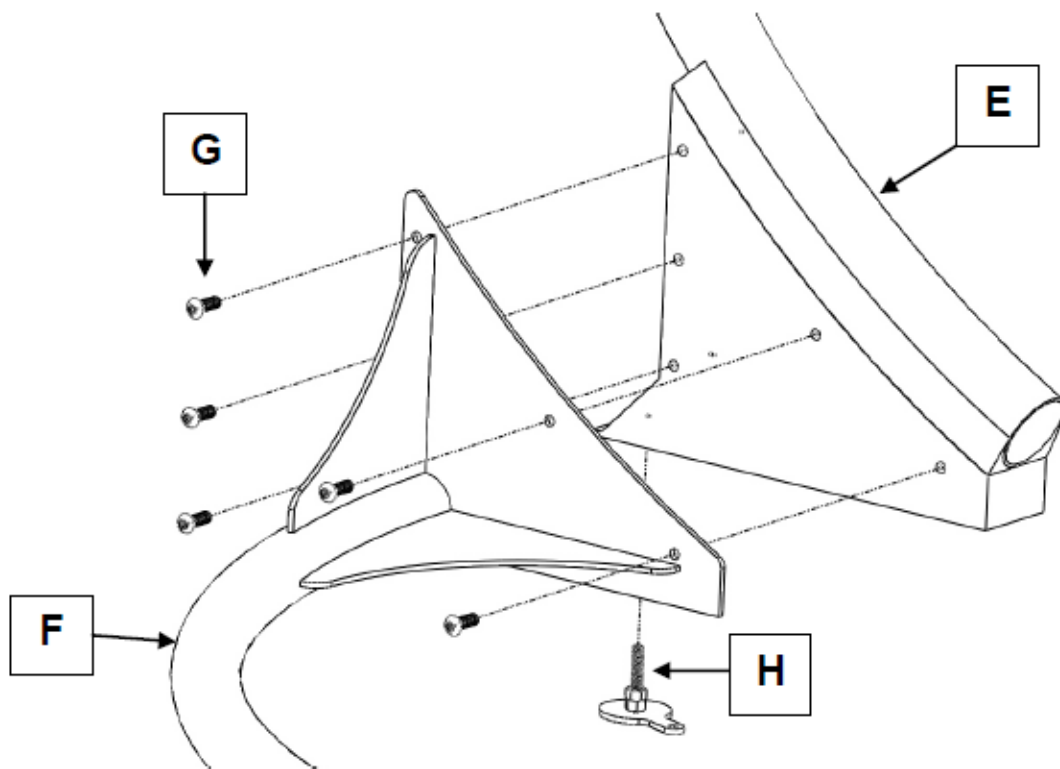
13. Installation

1. Install on a flat, stable floor. The Frame should be stored and used indoors. Make sure your floor can comfortably support the weight of this Frame, your swing and activity using the swing.
2. If in any doubt about the assembly of this product, consult a suitable experienced person for assistance. One person can assemble the Frame, but assembly is easier for two people. The vertical spine can be self-supportive but it is always recommended that a second person holds it steady whilst the legs are attached.
3. Familiarise yourself with the components:

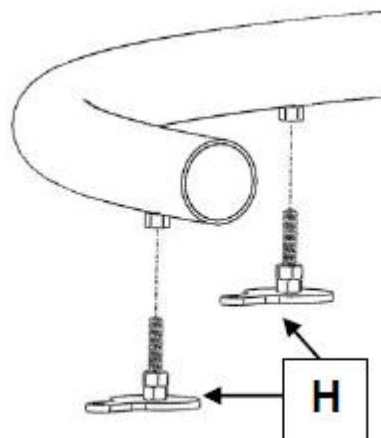


The frame consists of 4 main tubular parts, 5 feet and a fixing set.

4. Firstly, position the vertical spine (E) upright – it should be largely self-supporting once vertical.
5. Offer up the first leg (F) and secure in place using 5 x M10 x 30mm bolts (G) as shown below. Turns screws/bolts clockwise to tighten or anti-clockwise to loosen.
6. Repeat the process to secure the second leg to the vertical spine.

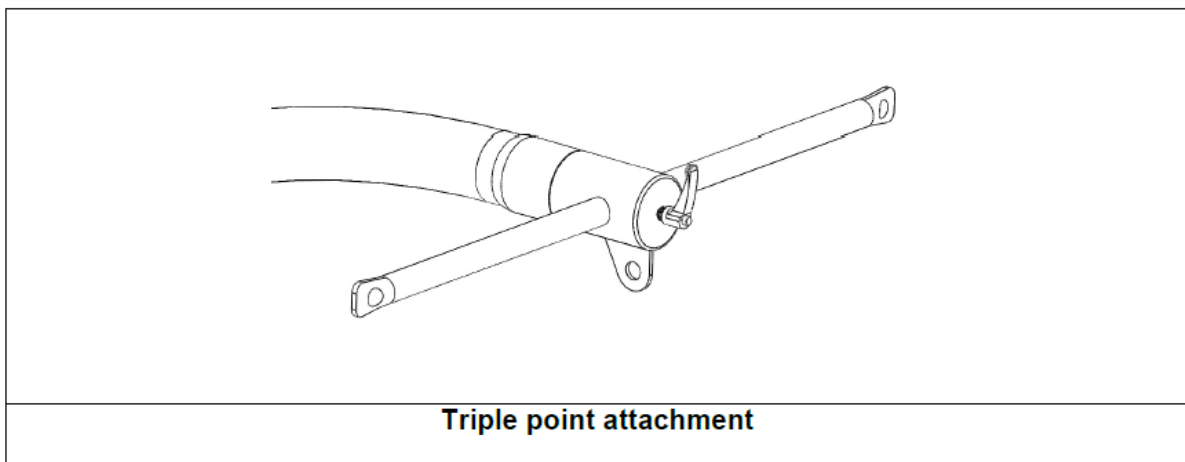
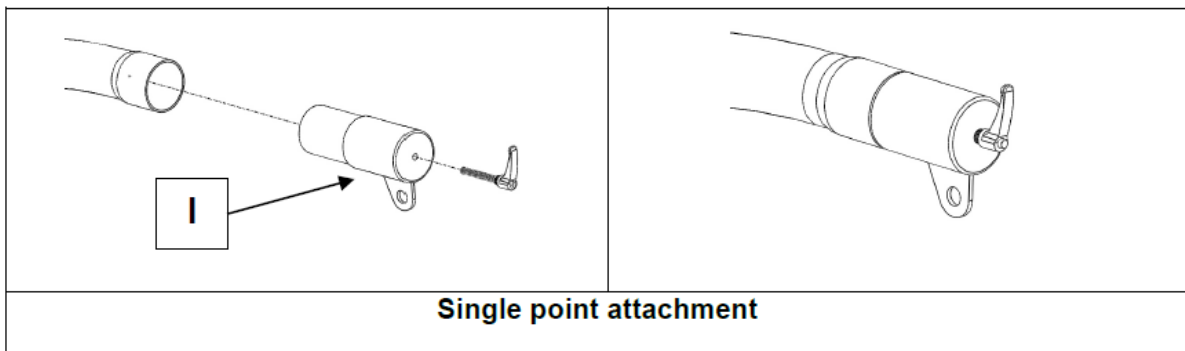


7. To ensure stability, now insert the 5 feet (H). These are simply threaded into the underside of each leg (quantity 2) and the underside of the vertical spine.
8. A lock nut is provided on each foot for adjustment in place when levelled.
9. Each foot has an eye-hole feature through which a bolt can be positioned, allowing permanent fixing to the floor if required.



10. Before use, make sure the padding provided is fitted over the exposed metal parts of the C Frame.
11. Wrap the neoprene padding onto the tube frame and zip to secure. The 'knuckle' of the frame is covered with the protection cover provided.
12. If mats are purchased, place the mats inside the circular area of the lower legs of the frame on the floor. Secure the mats together using the Velcro® fasteners provided.
13. Slide the single/triple point head onto the end of the vertical spine as shown below.

14. Tighten the lever lock to secure in place. Make sure the head is securely in place.



14. Care and Maintenance

- Regularly check the Frame (*and mats*) for signs of wear and tear. Look for damage or loose connection points. If any are found, immediately discontinue use till worn parts are repaired or replaced.
- Keep all parts clean.
- Before each use, check that the Frame is correctly and securely assembled – tighten any parts as required. If the frame is installed fixed to the ground, make sure the feet and fixing points are secure. We recommend that you keep a record of all checks and any maintenance carried out.
- Clean the padding periodically with a soft, damp cloth and mild detergent. Do not use bleach.
- Service the frame every year. If the O Frame has been subjected to 'heavy' or 'constant' use, please service every 6 months. 'Heavy/constant use' is considered to be:
 - Daily use above 7 hours duration
 - Weekly use above 5 days duration
 - Monthly use above 10 months per year
 - Use by a client who is at 90% to 100% of the maximum weight limit of the frame. NEVER exceed the maximum weight.
 - Use by a client who is extremely active, either voluntarily or involuntary.

Contact ROMPA® for advice regarding servicing.

- If this product has been out of use for 6 months or more, the frame needs to be serviced before use.
- Maintain an appropriate service and safety check record (an example is included with the product).

15. **Troubleshooting**

Not applicable

Further copies of these instructions can be downloaded at www.rompa.com

We hope you find our instructions invaluable. If you have any suggestions for improving them further your comments will be greatly received – please contact us at

producthelp@rompa.com